

KEY FEATURES

- U Bracket Switching Power Supply
- Universal Input: 90-264 VAC
- Single Output
- 5 VDC to 48 VDC Output
- 3000 VAC Input to Output Isolation
- 3-Year Product Warranty

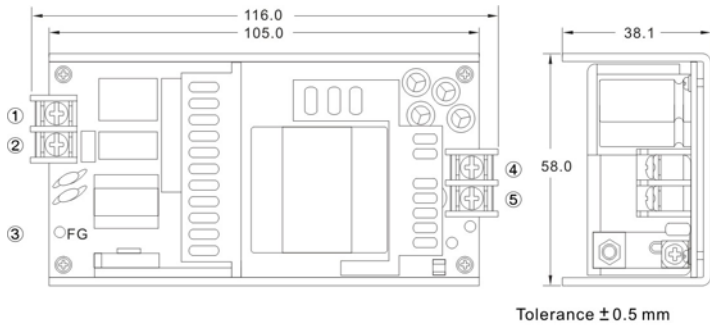


ELECTRICAL SPECIFICATIONS

Model No.	AES60U-5S	AES60U-9S	AES60U-12S	AES60U-15S	AES60U-24S	AES60U-48S		
Max Output Wattage (W)	50W	60W	60W	60W	60W	60W		
Input	Voltage						90-264 VAC or 120-370 VDC	
	Frequency (Hz)						47-63 Hz	
	Current (Full load)						2 A max. (115 VAC) / 1 A max. (230 VAC)	
	Inrush Current (<2ms)						30 A max. (115 VAC) / 50 A max. (230 VAC)	
	Leakage Current						0.5 mA max.	
Output	Voltage (V.DC.)		5V	9V	12V	15V	24V	48V
	Voltage Accuracy						±2%	
	Current (mA) max		10,000	6,660	5,000	4,000	2,500	1,250
	Line Regulation (LL-HL) (typ.)						±1%	
	Load Regulation (5-100%) (typ.)						±1%	
	Minimum Load						1%	
	Maximum Capacitive Load						470-23,000µF depending on model	
	Ripple						<0.2% Vout +40mV max (Vp-p)	
	Noise						<0.5% Vout +50mV max (Vp-p)	
	Efficiency (at 230V)		82%	84%	86%	86%	86%	86%
	Trim						±10%	
	Hold-up Time						10 ms min.	
Protection	Over Power Protection						Auto recovery	
	Over Voltage Protection						Zener diode clamp	
	Short Circuit Protection						Auto recovery	
Isolation	Input-Output (V.AC)						3000V	
	Input-FG (V.AC)						1500V	
	Output-FG (V.AC)						500V	
Environment	Operating Temperature						-40°C...+70°C (with derating)	
	Storage Temperature						-50°C...+85°C	
	Temperature coefficient						±0.02%/°C	
	Humidity						95% RH	
	MTBF						>130,000 h @ 25°C (MIL-HDBK-217F)	
Vibration						10-500Hz, 2G 10min./1cycle, 60min. each along X, Y, Z axes.		
Physical	Dimension (L x W x H)						4.13 x 2.28 x 1.5 Inches (105.0 x 58.0 x 38.1 mm) Tolerance ±0.5 mm	
	Weight						240 g	
	Cooling Method						Free air convection	
Safety	Agency Approvals						CE, UL60950	
EMC	EMI (Conducted & Radiated Emission)						EN 55022 class B	
	EMS (Noise Immunity)						EN 55024	

- 1.All specifications valid at normal input voltage, full load and +25°C after warm-up time unless otherwise stated.
- 2.Ripple & Noise are measured at 20MHz of bandwidth with 0.1µF & 47UF parallel capacitor.

MECHANICAL DIMENSION (Top View)

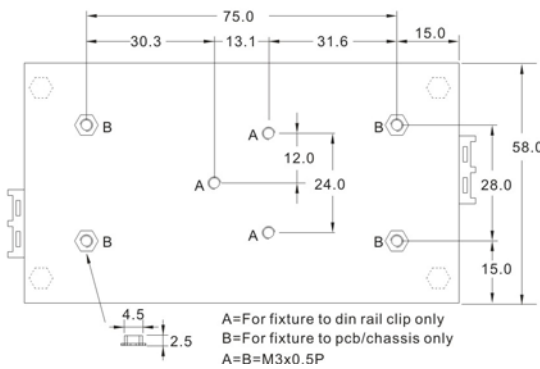
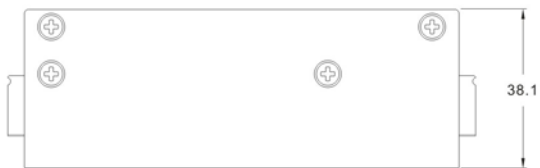


PIN#	Single
1	AC IN (N)
2	AC IN (L)
3	FG
4	+DC OUT
5	-DC OUT

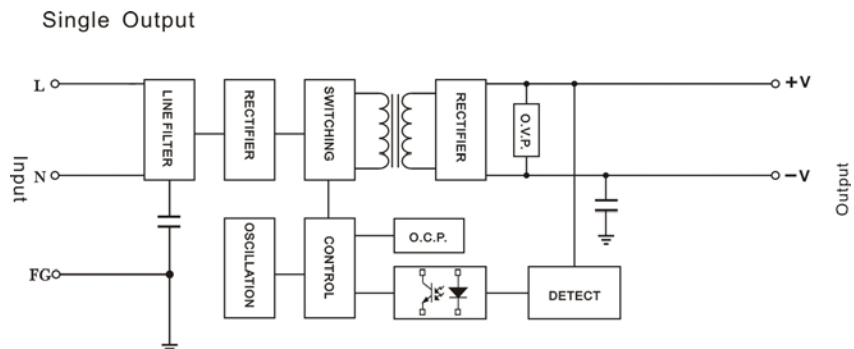
ASSEMBLY INSTRUCTIONS

*U Case T=2.5mm

Customer is advised to screw into the threads no more than 2.5mm



BLOCK DIAGRAM



DERATING

